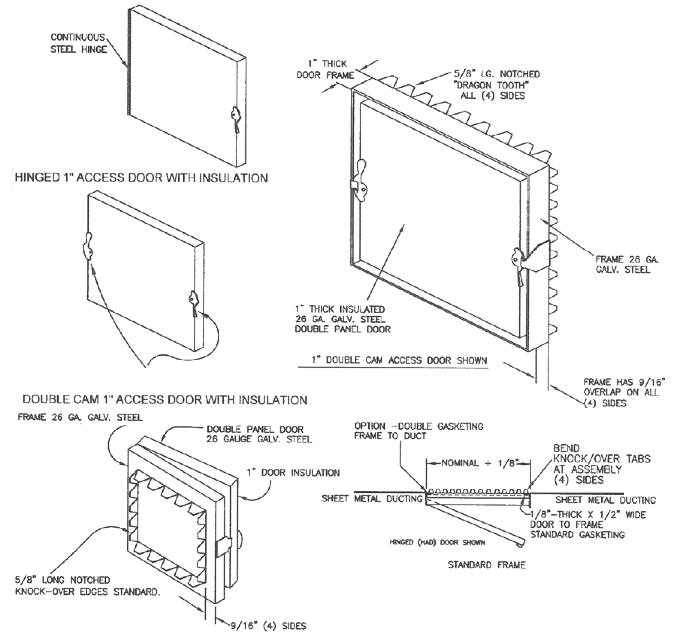
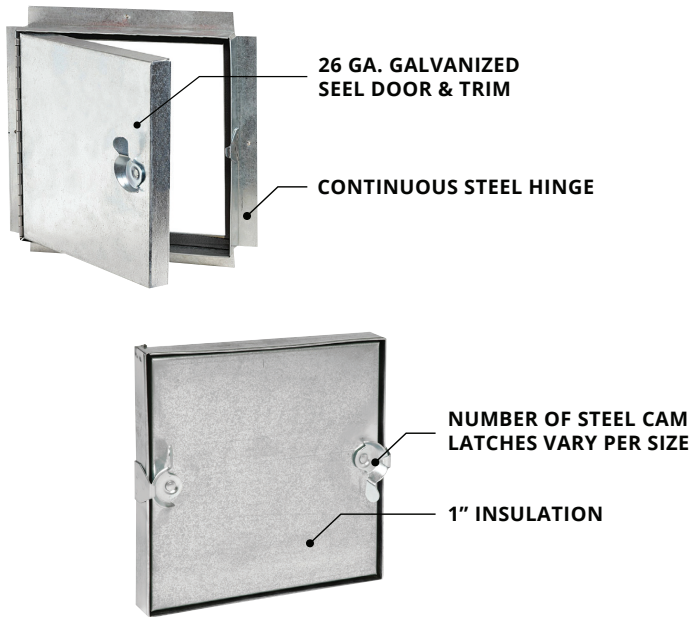


DAR 400 & DAH 450

TRU FIT DUCT DOORS



PRODUCT DETAILS

CONSTRUCTION

Door & Trim: 26 ga. galvanized steel.

Finish: Mill finish. Latches: Cam latches: hinged doors over 14" x 14" have 3 cam latches, double cam doors over 14" x 14" have 4 cam latches (one on each of 4 sides).

Installation: 1" insulation.

Hinge: DAR 400: Continuous steel hinge. DAH: No hinge.

Gasket: 1/8" thick x 1/2" wide door to frame gasket.

DURABILITY

The Linhdor DAR 400 and DAH 450 Duct Access Doors are designed to provide efficient and secure service access to critical areas in rectangular metal ducts for a wide range of commercial, industrial, institutional and residential applications. Offering economical, galvanized steel construction, our duct access doors are an excellent choice for locations where HVAC access is required. Perfect for both new and retrofit building projects, our duct doors enable easy access to dampers and other components in heating, air conditioning and other building ductwork.



SEE BACK OF SHEET FOR PRODUCT SIZES AND OPTIONS ▶

PRODUCT SIZES

DAR 400 & DAH 450

DAR 400 - NO HINGE

X	Model Number	Door Size W x H	Wall Opening
	DAR 400	4 x 6	4 1/4 x 6 1/4
	DAR 400	6 x 9	6 1/4 x 9 1/4
	DAR 400	8 x 8	8 1/4 x 8 1/4
	DAR 400	12 x 12	12 1/4 x 12 1/4
	DAR 400	14 x 14	14 1/4 x 14 1/4
	DAR 400	14 x 29	14 1/4 x 29 1/4
	DAR 400	18 x 18	18 1/4 x 18 1/4
	DAR 400	22 x 22	22 1/4 x 22 1/4
	DAR 400	24 x 24	24 1/4 x 24 1/4

DAH 450 - WITH HINGE

X	Model Number	Door Size W x H	Wall Opening
	DAH 450	4 x 6	4 1/4 x 6 1/4
	DAH 450	6 x 9	6 1/4 x 9 1/4
	DAH 450	8 x 8	8 1/4 x 8 1/4
	DAH 450	12 x 12	12 1/4 x 12 1/4
	DAH 450	14 x 14	14 1/4 x 14 1/4
	DAH 450	14 x 29	14 1/4 x 29 1/4
	DAH 450	18 x 18	18 1/4 x 18 1/4
	DAH 450	22 x 22	22 1/4 x 22 1/4
	DAH 450	24 x 24	24 1/4 x 24 1/4

OPTIONS

Custom Size: _____

Project: _____ Date: _____

Contractor: _____ Architect: _____

Sizes: _____ Quantity: _____ App Initials: _____