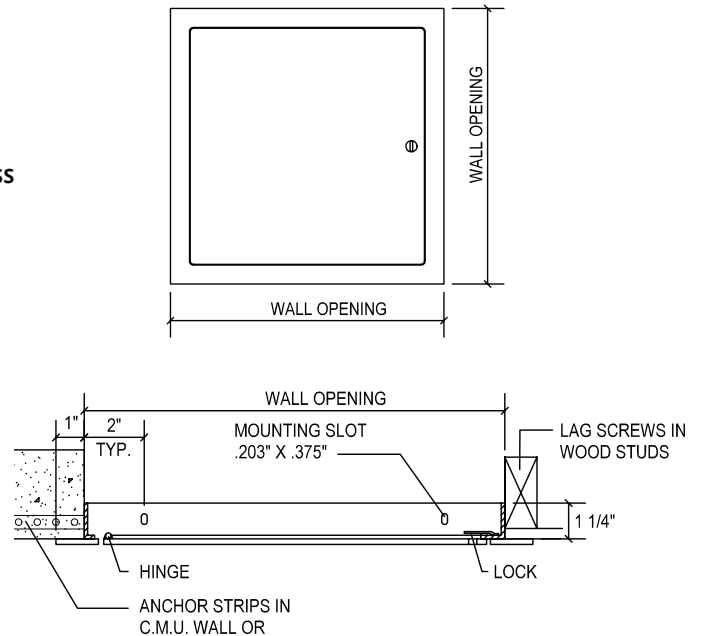
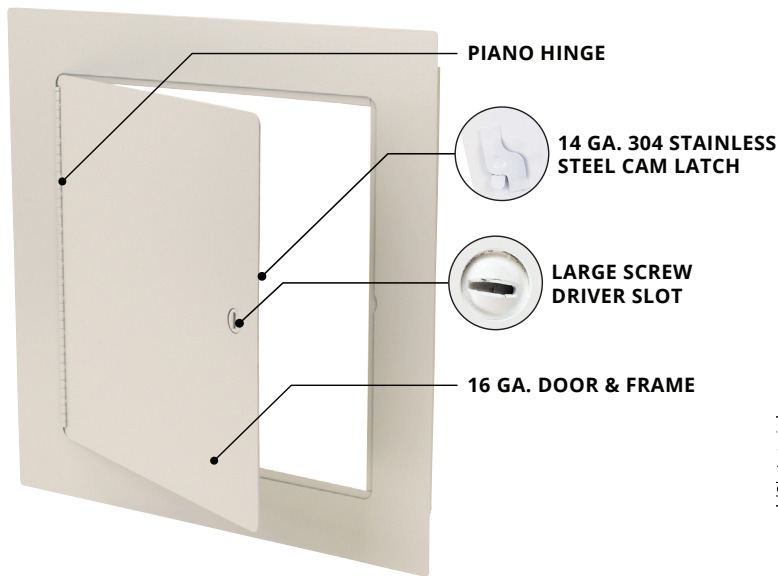


# PREMIUM 2000 INTERIOR

## FOR WALLS & CEILINGS



## PRODUCT DETAILS

### CONSTRUCTION

**Door and Trim:** 16 ga. steel. Laser cut from one sheet of cold rolled steel, no corner mitering preferred by architects and building professionals.

**Finish:** Primed white baked enamel, paintable surface.

**Hinge:** Full length semi concealed piano hinge allows 180° for a open work area.

**Lock:** 14 ga. 304 stainless steel cam latches with large screwdriver slot for easy opening.

Can be installed in the ceiling or wall.

### DURABILITY

Access door has rust resistant galvanized steel to protect your interior access door from rust and deterioration. Door panel has large accurate cam slots to keep cams sturdy in place and to prevent metal access doors from sagging.



SEE BACK OF SHEET FOR PRODUCT SIZES AND OPTIONS ▶

## PRODUCT SIZES

### PREMIUM 2000 INTERIOR

X	Model Number	Door Size W x H	Wall Opening	Cam Latches	Ship Wt. Lbs.
	Premium 2000	6 x 6	6 1/4 x 6 1/4	1	4
	Premium 2000	8 x 8	8 1/4 x 8 1/4	1	5
	Premium 2000	8 x 12*	8 1/4 x 12 1/4	1	6
	Premium 2000	8 x 16**	8 1/4 x 16 1/4	1	8
	Premium 2000	10 x 10	10 1/4 x 10 1/4	3	6
	Premium 2000	12 x 12	12 1/4 x 12 1/4	3	8
	Premium 2000	12 x 16*	12 1/4 x 16 1/4	3	10
	Premium 2000	12 x 18*	12 1/4 x 18 1/4	3	11
	Premium 2000	12 x 24*	12 1/4 x 24 1/4	4	15
	Premium 2000	14 x 14	14 1/4 x 14 1/4	3	10
	Premium 2000	14 x 24*	14 1/4 x 24 1/4	3	14
	Premium 2000	16 x 16	16 1/4 x 16 1/4	3	13
	Premium 2000	16 x 20*	16 1/4 x 20 1/4	3	16
	Premium 2000	16 x 24**	16 1/4 x 24 1/4	4	17
	Premium 2000	18 x 18	18 1/4 x 18 1/4	3	14
	Premium 2000	18 x 24	18 1/4 x 24 1/4	4	18
	Premium 2000	18 x 36**	18 1/4 x 36 1/4	5	29

X	Model Number	Door Size W x H	Wall Opening	Cam Latches	Ship Wt. Lbs.
	Premium 2000	20 x 20	20 1/4 x 20 1/4	3	17
	Premium 2000	20 x 24	20 1/4 x 24 1/4	4	21
	Premium 2000	20 x 30*	20 1/4 x 30 1/4	4	23
	Premium 2000	22 x 22	22 1/4 x 22 1/4	4	22
	Premium 2000	22 x 24*	22 1/4 x 24 1/4	4	23
	Premium 2000	22 x 30	22 1/4 x 30 1/4	4	25
	Premium 2000	22 x 36*	22 1/4 x 36 1/4	5	32
	Premium 2000	24 x 24	24 1/4 x 24 1/4	4	24
	Premium 2000	24 x 30*	24 1/4 x 30 1/4	4	27
	Premium 2000	24 x 36*	24 1/4 x 36 1/4	5	35
	Premium 2000	24 x 48*	24 1/4 x 48 1/4	6	43
	Premium 2000	30 x 30	30 1/4 x 30 1/4	6	32
	Premium 2000	30 x 36	30 1/4 x 36 1/4	6	39
	Premium 2000	32 x 32	32 1/4 x 32 1/4	6	35
	Premium 2000	36 x 36	36 1/4 x 36 1/4	7	44
	Premium 2000	36 x 48	36 1/4 x 48 1/4	8	57
	Premium 2000	48 x 48	48 1/4 x 48 1/4	12	70

\*Sizes Available Upon Request  
 \*\*Special Orders

## OPTIONS

### Finishes:

- Stainless Steel Type 304 No. 4 Satin Finish Brushed
- Stainless Steel Type 316 No. 4 Satin Finish Brushed

### Locks:

- Mortise Lock/Other
- Key Cylinder Locks: Keyed alike 2 keys per door

### Gasket:

- Neoprene gasket all 3 sides

**Color:** \_\_\_\_\_

**Custom Size:** \_\_\_\_\_

<b>Project:</b> _____	<b>Date:</b> _____
<b>Contractor:</b> _____	<b>Architect:</b> _____
<b>Sizes:</b> _____	<b>Quantity:</b> _____ <b>App Initials:</b> _____