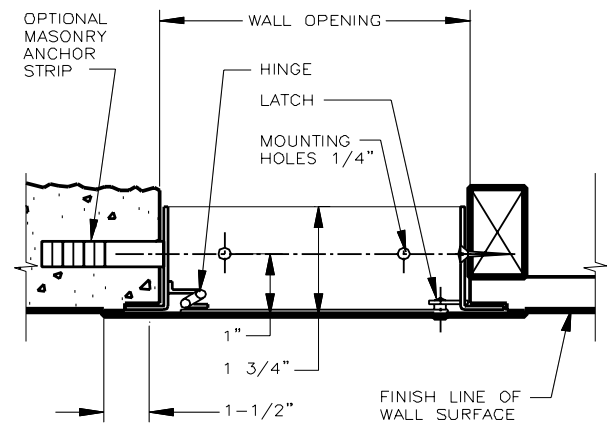
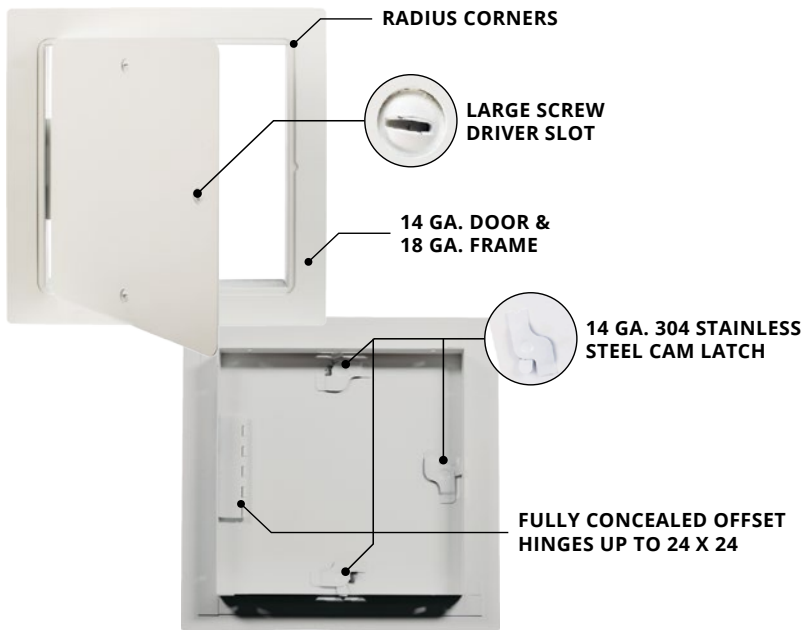


SUPREME 3000 INTERIOR

FOR WALLS & CEILINGS



PRODUCT DETAILS

CONSTRUCTION

Door and Trim: 14 ga. steel door and 18 ga. steel frame. Laser cut cold rolled steel, no corner mitering, preferred by architects and building professionals.

Finish: Primed white baked enamel, paintable surface.

Hinge: Fully concealed offset hinges (up to 24" x 24") allows 165 degrees (over 24" x 24" is semi-concealed allowing 180°) for a wider work area.

Lock: 14 ga. 304 stainless steel cam latches with large screwdriver slot for easy opening. Can be installed in the ceiling or wall.

DURABILITY

The Supreme 3000 Interior access door has rust-resistant galvanized steel to protect your interior access door from rust and deterioration. The door panel has large accurate cam slots to keep cams sturdily in place and to prevent metal access doors from sagging.



SEE BACK OF SHEET FOR PRODUCT SIZES AND OPTIONS ▶

PRODUCT SIZES

SUPREME 3000 INTERIOR

X	Model Number	Door Size W x H	Wall Opening	Cam Latches	Ship Wt. Lbs.
	Supreme 3000	6 x 6	6 1/4 x 6 1/4	1	4
	Supreme 3000	8 x 8	8 1/4 x 8 1/4	1	5
	Supreme 3000	8 x 12*	8 1/4 x 12 1/4	1	6
	Supreme 3000	8 x 16**	8 1/4 x 16 1/4	1	8
	Supreme 3000	10 x 10	10 1/4 x 10 1/4	3	6
	Supreme 3000	12 x 12	12 1/4 x 12 1/4	3	8
	Supreme 3000	12 x 16*	12 1/4 x 16 1/4	3	10
	Supreme 3000	12 x 18*	12 1/4 x 18 1/4	3	11
	Supreme 3000	12 x 24*	12 1/4 x 24 1/4	4	15
	Supreme 3000	14 x 14	14 1/4 x 14 1/4	3	10
	Supreme 3000	14 x 24*	14 1/4 x 24 1/4	3	14
	Supreme 3000	16 x 16	16 1/4 x 16 1/4	3	13
	Supreme 3000	16 x 20*	16 1/4 x 20 1/4	3	16
	Supreme 3000	16 x 24**	16 1/4 x 24 1/4	4	17
	Supreme 3000	18 x 18	18 1/4 x 18 1/4	3	14
	Supreme 3000	18 x 24	18 1/4 x 24 1/4	4	18
	Supreme 3000	18 x 36**	18 1/4 x 36 1/4	5	29

X	Model Number	Door Size W x H	Wall Opening	Cam Latches	Ship Wt. Lbs.
	Supreme 3000	20 x 20	20 1/4 x 20 1/4	3	17
	Supreme 3000	20 x 24	20 1/4 x 24 1/4	4	21
	Supreme 3000	20 x 30*	20 1/4 x 30 1/4	4	23
	Supreme 3000	22 x 22	22 1/4 x 22 1/4	4	22
	Supreme 3000	22 x 24*	22 1/4 x 24 1/4	4	23
	Supreme 3000	22 x 30	22 1/4 x 30 1/4	4	25
	Supreme 3000	22 x 36*	22 1/4 x 36 1/4	5	32
	Supreme 3000	24 x 24	24 1/4 x 24 1/4	4	24
	Supreme 3000	24 x 30*	24 1/4 x 30 1/4	4	27
	Supreme 3000	24 x 36*	24 1/4 x 36 1/4	5	35
	Supreme 3000	24 x 48*	24 1/4 x 48 1/4	6	43
	Supreme 3000	30 x 30	30 1/4 x 30 1/4	6	32
	Supreme 3000	30 x 36	30 1/4 x 36 1/4	6	39
	Supreme 3000	32 x 32	32 1/4 x 32 1/4	6	35
	Supreme 3000	36 x 36	36 1/4 x 36 1/4	7	44
	Supreme 3000	36 x 48	36 1/4 x 48 1/4	8	57
	Supreme 3000	48 x 48	48 1/4 x 48 1/4	12	70

*Sizes Available Upon Request

**Special Orders

OPTIONS

Finishes:

- Stainless Steel Type 304 No. 4 Satin Finish Brushed
- Stainless Steel Type 316 No. 4 Satin Finish Brushed

Locks:

- Mortise Lock/Other
- Key Cylinder Locks: Keyed alike 2 keys per door

Gasket:

- Neoprene gasket

Custom Size: _____

Project: _____	Date: _____
Contractor: _____	Architect: _____
Sizes: _____	Quantity: _____ App Initials: _____