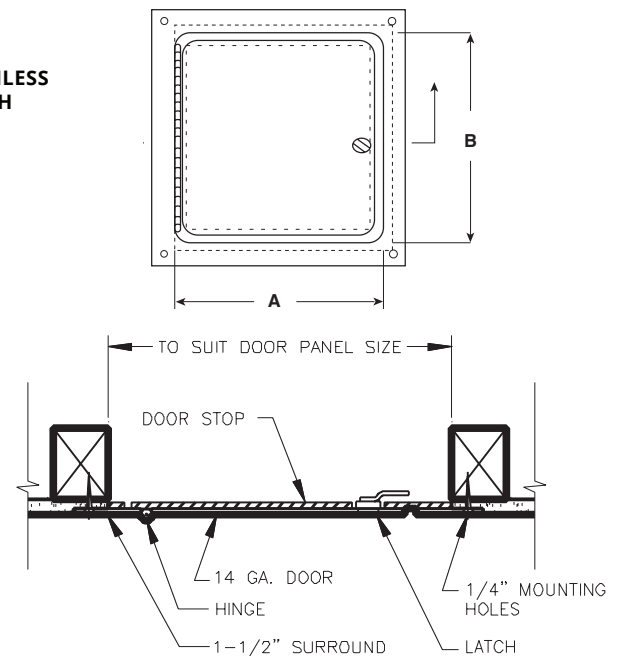
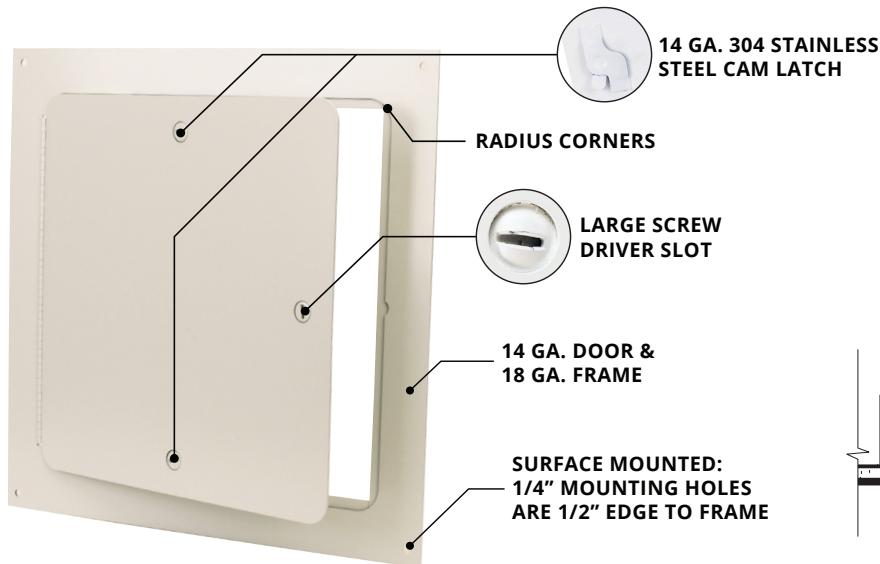


SUPREME SMP 3020

FOR WALLS & CEILINGS



PRODUCT DETAILS

CONSTRUCTION

Door: 14 ga. steel door and 18 ga. steel, 1 1/2" wide flange. No recess or framing required preferred by architects and building professionals.

Finish: Primed white baked enamel, paintable surface.

Hinge: Full length piano hinge allows door to open to 180.

Lock: 14 ga. 304 stainless steel cam latches with large screwdriver slot for easy opening.

Can be installed in the ceiling or wall.

DURABILITY

The best flat access door in the industry. When access is a requirement without a framed opening, our precision fit surface mounted flat access door is the solution for all types of walls and ceilings. This flat access panel is perfect where you need a flat access panel with no recess.



SEE BACK OF SHEET FOR PRODUCT SIZES AND OPTIONS ▶

PRODUCT SIZES

SUPREME SMP 3020

X	Model Number	Door Size W x H	Wall Opening	Cam Latches	Ship Wt. Lbs.
	Supreme SMP 3020	6 x 6	6 1/4 x 6 1/4	1	4
	Supreme SMP 3020	8 x 8	8 1/4 x 8 1/4	1	5
	Supreme SMP 3020	8 x 12	8 1/4 x 12 1/4	1	6
	Supreme SMP 3020	8 x 16	8 1/4 x 16 1/4	1	8
	Supreme SMP 3020	10 x 10	10 1/4 x 10 1/4	3	6
	Supreme SMP 3020	12 x 12	12 1/4 x 12 1/4	3	8
	Supreme SMP 3020	12 x 16	12 1/4 x 16 1/4	3	10
	Supreme SMP 3020	12 x 18	12 1/4 x 18 1/4	3	11
	Supreme SMP 3020	12 x 24	12 1/4 x 24 1/4	4	15
	Supreme SMP 3020	14 x 14	14 1/4 x 14 1/4	3	10
	Supreme SMP 3020	14 x 24	14 1/4 x 24 1/4	3	14
	Supreme SMP 3020	16 x 16	16 1/4 x 16 1/4	3	13
	Supreme SMP 3020	16 x 20	16 1/4 x 20 1/4	3	16
	Supreme SMP 3020	16 x 24	16 1/4 x 24 1/4	4	17
	Supreme SMP 3020	18 x 18	18 1/4 x 18 1/4	3	14
	Supreme SMP 3020	18 x 24	18 1/4 x 24 1/4	4	18
	Supreme SMP 3020	18 x 36	18 1/4 x 36 1/4	5	29

X	Model Number	Door Size W x H	Wall Opening	Cam Latches	Ship Wt. Lbs.
	Supreme SMP 3020	20 x 20	20 1/4 x 20 1/4	3	17
	Supreme SMP 3020	20 x 24	20 1/4 x 24 1/4	4	21
	Supreme SMP 3020	20 x 30	20 1/4 x 30 1/4	4	23
	Supreme SMP 3020	22 x 22	22 1/4 x 22 1/4	4	22
	Supreme SMP 3020	22 x 24	22 1/4 x 24 1/4	4	23
	Supreme SMP 3020	22 x 30	22 1/4 x 30 1/4	4	25
	Supreme SMP 3020	22 x 36	22 1/4 x 36 1/4	5	32
	Supreme SMP 3020	24 x 24	24 1/4 x 24 1/4	4	24
	Supreme SMP 3020	24 x 30	24 1/4 x 30 1/4	4	27
	Supreme SMP 3020	24 x 36	24 1/4 x 36 1/4	5	35
	Supreme SMP 3020	24 x 48	24 1/4 x 48 1/4	6	43
	Supreme SMP 3020	30 x 30	30 1/4 x 30 1/4	6	32
	Supreme SMP 3020	30 x 36	30 1/4 x 36 1/4	6	39
	Supreme SMP 3020	32 x 32	32 1/4 x 32 1/4	6	35
	Supreme SMP 3020	36 x 36	36 1/4 x 36 1/4	7	44
	Supreme SMP 3020	36 x 48	36 1/4 x 48 1/4	8	57
	Supreme SMP 3020	48 x 48	48 1/4 x 48 1/4	12	70

OPTIONS

Finishes:

- Stainless Steel Type 304 No. 4 Satin Finish Brushed
- Stainless Steel Type 316 No. 4 Satin Finish Brushed

Locks:

- Key Cylinder Locks: Keyed alike 2 keys per door

Gasket:

- Neoprene gasket 3 sides

Color: _____

Custom Size: _____

Project: _____	Date: _____
Contractor: _____	Architect: _____
Sizes: _____	Quantity: _____ App Initials: _____