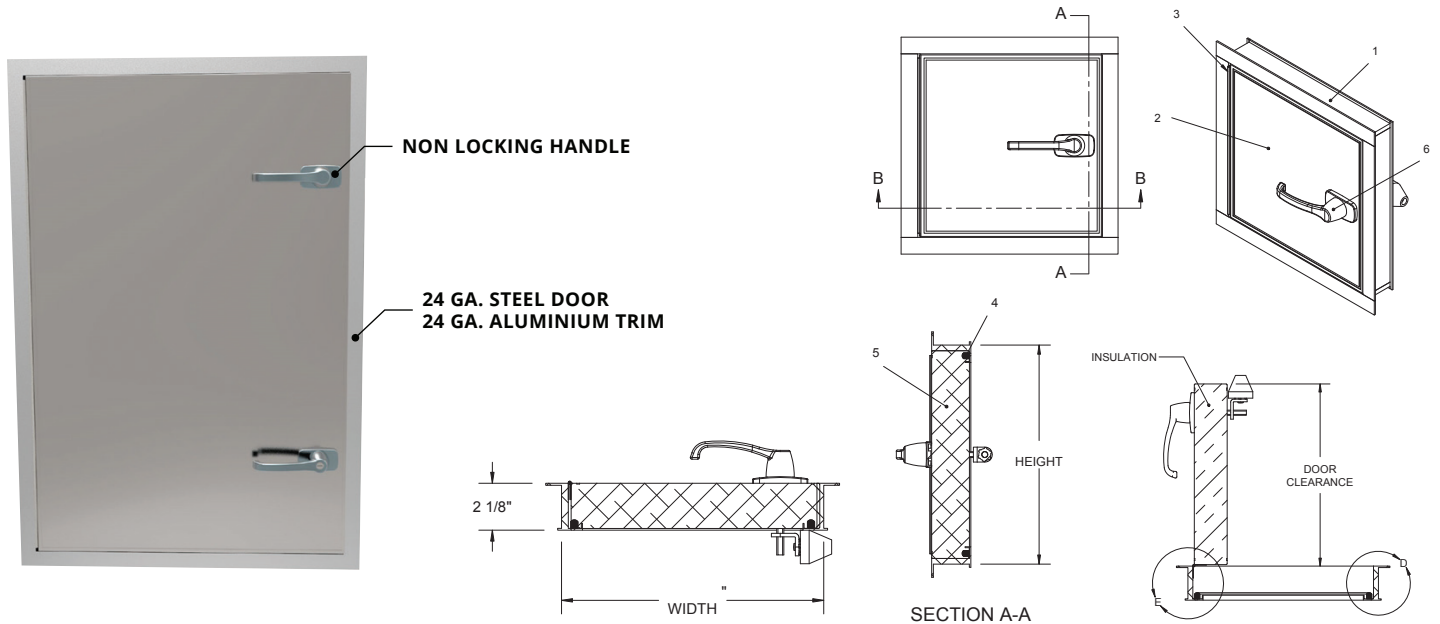


OU F 7075 EXTERIOR COASTAL ZONE

WALLS & CEILINGS



PRODUCT DETAILS

CONSTRUCTION

Door: 16 ga. steel door and frame. Laser cut cold rolled steel, no corner mitering.

Trim: .080 inch 6063 T5 Extruded Aluminum.

Finish: Primed grey baked enamel, paintable surface.

Hinge: Continuous stainless steel piano hinge.

Latch: Non locking handle with optional interior handle, locking handle w: optional interior handle.

DURABILITY

Exterior Access Door is the industry's only high velocity and impact tested door. With a design pressure of +/- 80 psf, this door is sure to withstand Mother Nature's toughest storms.



SEE BACK OF SHEET FOR PRODUCT SIZES AND OPTIONS ►

PRODUCT SIZES

OU-F 7075 EXTERIOR COASTAL ZONE

X	Model Number	Door Size W x H	Wall Opening	Ship Wt. Lbs.
	OU-F 7075	18 x 18	18 x 18	5
	OU-F 7075	20 x 30	20 x 30	8.5
	OU-F 7075	24 x 24	24 x 24	10
	OU-F 7075	24 x 30	24 x 30	15
	OU-F 7075	24 x 36	24 x 36	15
	OU-F 7075	36 x 36	36 x 36	15

OPTIONS

Locks:

- Locking handle
- Interior handle
- Drip cap

Custom Size: _____

Project: _____	Date: _____
Contractor: _____	Architect: _____
Sizes: _____	Quantity: _____ App Initials: _____