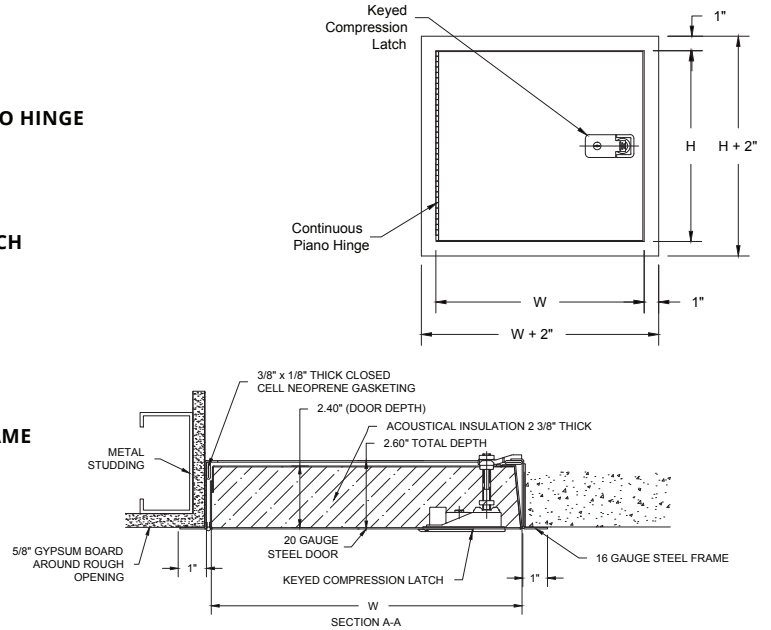
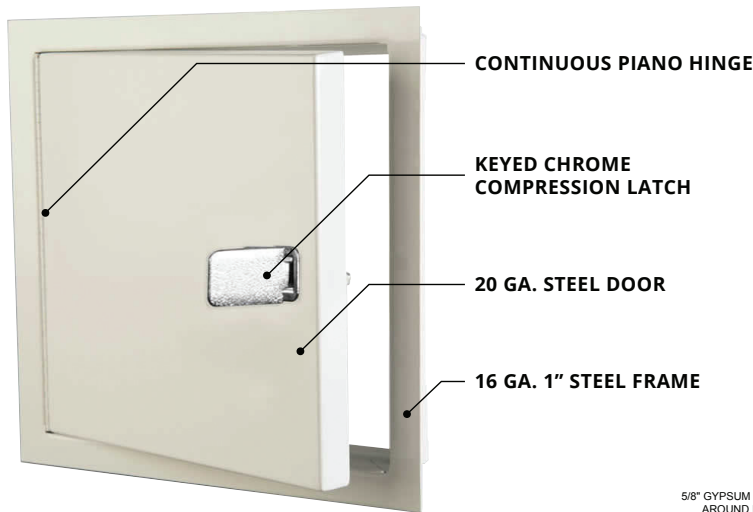


SR 640 SOUND RATED

FOR WALLS & CEILINGS



PRODUCT DETAILS

CONSTRUCTION

Door: 20 ga. steel.

Trim: 16 ga. steel, 1" wide.

Finish: Prime coat of rust inhibitive electrostatic powder, white baked enamel, paintable surface. Stainless steel available in No. 4 finish.

Latches: Compression latch finished in chrome with cup sealed gasket, keyed.

Hinges: Continuous piano hinge.

Insulation: Acoustical insulation, 2 3/8" x 1/8" thick.

Gasket: Between door and frame, 3/8" wide x 1/8" thick closed cell neoprene gasketing.

Application: For interior use.

Can be installed in the ceiling or wall.

DURABILITY

Independently tested in accordance with ASTM:E1332, ASTM: E90, and ASTM: E413, and rated of STC 64 when installed according to manufactures instruction. This sound rated access door is perfect for areas where sound needs to be eliminated such as multi-family buildings, schools, hospitals, apartments, and even residential use.



SEE BACK OF SHEET FOR PRODUCT SIZES AND OPTIONS ►

PRODUCT SIZES

SR 640 SOUND RATED

X	Model Number	Door Size W x H	Wall Opening	Ship Wt. Lbs.
	RSR 640	12 x 12	12 3/8 x 12 3/8	7
	RSR 640	14 x 14	14 3/8 x 14 3/8	8
	RSR 640	16 x 16	16 3/8 x 16 3/8	10
	RSR 640	18 x 18	18 3/8 x 18 3/8	11
	RSR 640	24 x 24	24 3/8 x 24 3/8	16
	RSR 640	24 x 36	24 3/8 x 36 3/8	19
	RSR 640	36 x 36	36 3/8 x 36 3/8	29

OPTIONS

Locks:
 Stainless steel No. 4 finish, keyed

Custom Size: _____

Project: _____ **Date:** _____

Contractor: _____ **Architect:** _____

Sizes: _____ **Quantity:** _____ **App Initials:** _____