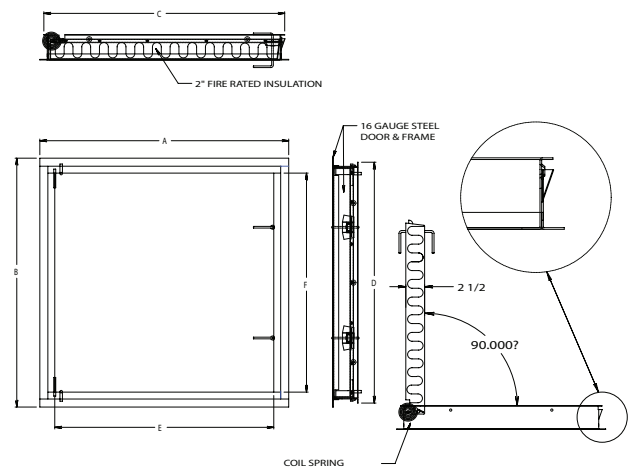
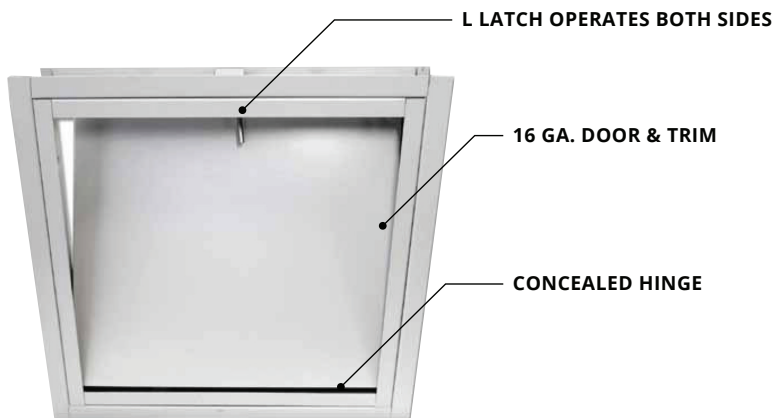


# NOVA-US 8050

## UPWARD SWINGING FOR CEILING



For fire rated ceilings, this door has been approved by Warnock Hersey International for 3 hours.

## PRODUCT DETAILS

### CONSTRUCTION

**Door and Trim:** 16 ga. door, flush to frame, with reinforced edges. Door filled with 2" thick fire insulation. 16 ga. mounting frame with 1" trim.

**Finish:** Steel: 5 stage iron phosphate preparation with prime coat of white baked enamel.

**Hinge:** Concealed with coil spring for dampening.

**Lock:** L Latch, operable from both sides.

**Insulation:** 2" thick mineral wool.

Industrial insulation for optimal fire protection (rated noncombustible by NFPA Standard 220 when tested in accordance with ASTM E136 and withstands ASTM E119) and superior sound control USG tested per ASTM C165/ 8 pcf STC 15 2" thickness.

### DURABILITY

The NOVA US 8050 is an insulated, fire rated access door approved for inward opening in ceilings. Approved by Warner Hersey International for 3 hours (max. size to 24" x 36"). Self closing, self latching, and inside latch release.



SEE BACK OF SHEET FOR PRODUCT SIZES AND OPTIONS ►

## PRODUCT SIZES

### NOVA-US 8050

X	Model Number	Door Size W x H	Wall Opening	L Latch	Ship Wt. Lbs.
	NOVA-US 8050	8 x 8	8 3/8 x 8 3/8	1	8
	NOVA-US 8050	10 x 10	10 3/8 x 10 3/8	1	9
	NOVA-US 8050	12 x 12	12 3/8 x 12 3/8	1	10
	NOVA-US 8050	14 x 14	14 3/8 x 14 3/8	1	12
	NOVA-US 8050	16 x 16	16 3/8 x 16 3/8	1	15
	NOVA-US 8050	18 x 18	18 3/8 x 18 3/8	1	20
	NOVA-US 8050	22 x 30	22 3/8 x 30 3/8	1	32
	NOVA-US 8050	22 x 36	22 3/8 x 36 3/8	2	35
	NOVA-US 8050	24 x 24	24 3/8 x 24 3/8	1	28
	NOVA-US 8050	24 x 36	24 3/8 x 36 3/8	2	38
	NOVA-US 8050	24 x 48	24 3/8 x 48 3/8	2	48
	NOVA-US 8050	30 x 30	30 3/8 x 30 3/8	2	38
	NOVA-US 8050	36 x 36	36 3/8 x 36 3/8	2	54
	NOVA-US 8050	36 x 48	36 3/8 x 48 3/8	2	76

## OPTIONS

### Finishes:

 Stainless Steel Type 304 No. 4 Satin Finish Brushed

### Locks:

 Key Cylinder Locks: Keyed alike 2 keys per door

**Custom Size:** \_\_\_\_\_

<b>Project:</b> _____	<b>Date:</b> _____
<b>Contractor:</b> _____	<b>Architect:</b> _____
<b>Sizes:</b> _____	<b>Quantity:</b> _____
	<b>App Initials:</b> _____