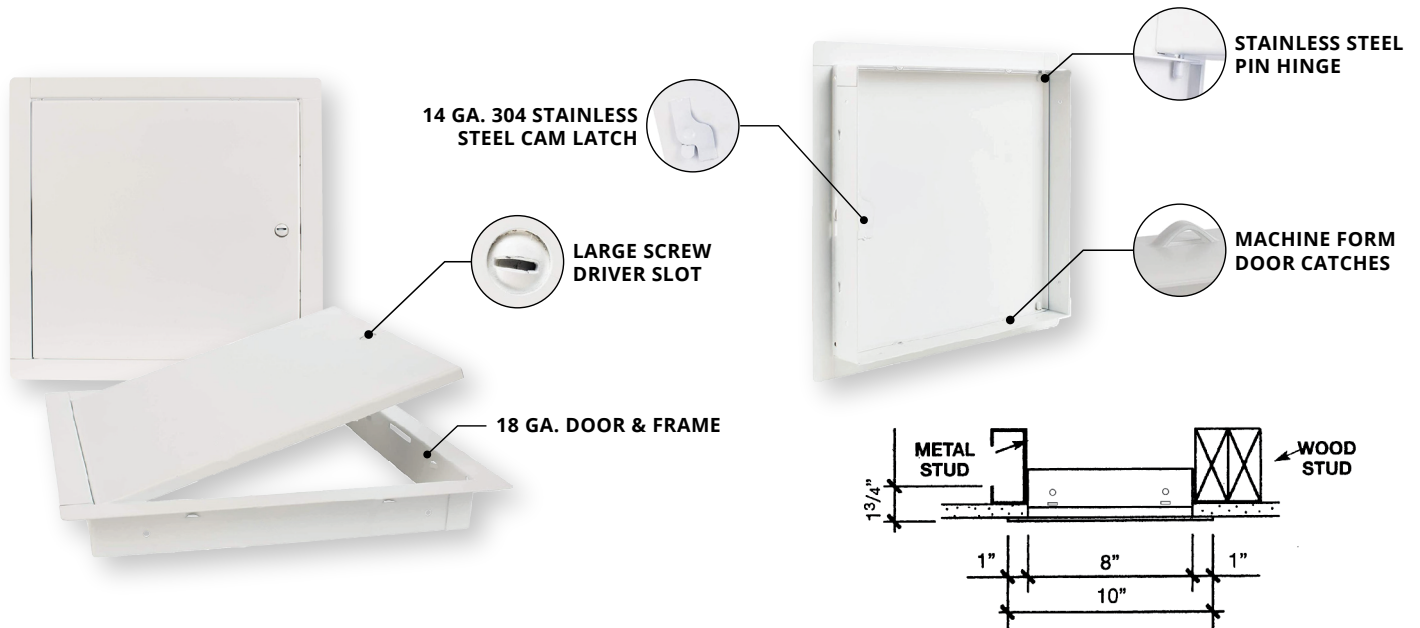


# ELITE 1000 INTERIOR

## FOR WALLS & CEILINGS



### PRODUCT DETAILS



#### CONSTRUCTION

**Door and Trim:** 18 ga. steel (up to and including 16" x 16").  
 7/16" door return lip edge.

**Finish:** Primed white baked enamel, paintable surface.

**Hinge:** Pin hinge top and bottom allows opening to 165°.

**Lock:** 14 ga. 304 stainless steel cam latches with large screwdriver slot for easy opening.  
 Can be installed in the ceiling or wall.

#### DURABILITY

Access door has rust-resistant galvanized steel to protect your interior access door from rust and deterioration. Door panel has large accurate cam slots to keep cams sturdy in place and to prevent metal access doors from sagging.

SEE BACK OF SHEET FOR PRODUCT SIZES AND OPTIONS ►

## PRODUCT SIZES

### ELITE 1000 INTERIOR

X	Model Number	Door Size W x H	Wall Opening	Cam Latches	Ship Wt. Lbs.
	Elite 1000	6 x 6	6 1/4 x 6 1/4	1	4
	Elite 1000	8 x 8	8 1/4 x 8 1/4	1	5
	Elite 1000	8 x 12*	8 1/4 x 12 1/4	1	6
	Elite 1000	8 x 16**	8 1/4 x 16 1/4	1	8
	Elite 1000	10 x 10	10 1/4 x 10 1/4	3	6
	Elite 1000	12 x 12	12 1/4 x 12 1/4	3	8
	Elite 1000	12 x 16*	12 1/4 x 16 1/4	3	10
	Elite 1000	12 x 18*	12 1/4 x 18 1/4	3	11
	Elite 1000	12 x 24*	12 1/4 x 24 1/4	4	15
	Elite 1000	14 x 14	14 1/4 x 14 1/4	3	10
	Elite 1000	14 x 24*	14 1/4 x 24 1/4	3	14
	Elite 1000	16 x 16	16 1/4 x 16 1/4	3	13
	Elite 1000	16 x 20*	16 1/4 x 20 1/4	3	16
	Elite 1000	16 x 24**	16 1/4 x 24 1/4	4	17
	Elite 1000	18 x 18	18 1/4 x 18 1/4	3	14
	Elite 1000	18 x 24	18 1/4 x 24 1/4	4	18
	Elite 1000	18 x 36**	18 1/4 x 36 1/4	5	29

X	Model Number	Door Size W x H	Wall Opening	Cam Latches	Ship Wt. Lbs.
	Elite 1000	20 x 20	20 1/4 x 20 1/4	3	17
	Elite 1000	20 x 24	20 1/4 x 24 1/4	4	21
	Elite 1000	20 x 30*	20 1/4 x 30 1/4	4	23
	Elite 1000	22 x 22	22 1/4 x 22 1/4	4	22
	Elite 1000	22 x 24*	22 1/4 x 24 1/4	4	23
	Elite 1000	22 x 30	22 1/4 x 30 1/4	4	25
	Elite 1000	22 x 36*	22 1/4 x 36 1/4	5	32
	Elite 1000	24 x 24	24 1/4 x 24 1/4	4	24
	Elite 1000	24 x 30*	24 1/4 x 30 1/4	4	27
	Elite 1000	24 x 36*	24 1/4 x 36 1/4	5	35
	Elite 1000	24 x 48*	24 1/4 x 48 1/4	6	43
	Elite 1000	30 x 30	30 1/4 x 30 1/4	6	32
	Elite 1000	30 x 36	30 1/4 x 36 1/4	6	39
	Elite 1000	32 x 32	32 1/4 x 32 1/4	6	35
	Elite 1000	36 x 36	36 1/4 x 36 1/4	7	44
	Elite 1000	36 x 48	36 1/4 x 48 1/4	8	57
	Elite 1000	48 x 48	48 1/4 x 48 1/4	12	70

\*Sizes Available Upon Request

\*\*Special Order

## OPTIONS

### Finishes:

- Stainless Steel Type 304 No. 4 Satin Finish Brushed  
 Stainless Steel Type 316 No. 4 Satin Finish Brushed

### Locks:

- Key Cylinder Locks: Keyed alike 2 keys per door

Color: \_\_\_\_\_

Custom Size: \_\_\_\_\_

Project: _____	Date: _____
Contractor: _____	Architect: _____
Sizes: _____	Quantity: _____ App Initials: _____