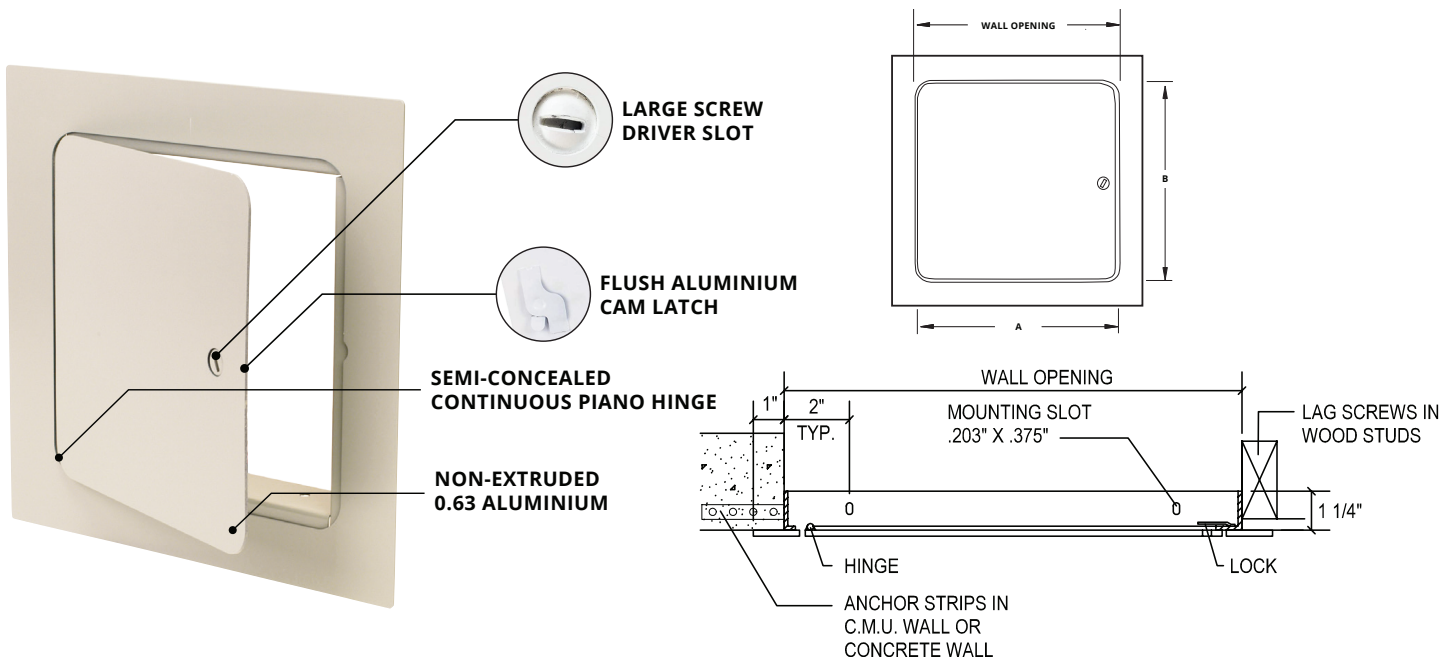


LW 550 NON INSULATED AL

FOR WALLS & CEILINGS



PRODUCT DETAILS

CONSTRUCTION

Door and Trim: Extruded .063 Aluminum.

Finish: Primed white baked enamel, paintable surface.

Hinge: Full length semi concealed piano hinge allows 180° opening.

Latch: Flush aluminum cam latch.

Can be installed in the ceiling or wall.

DURABILITY

This lightweight, all aluminum precision flush access door for wall and ceiling installation far surpasses other doors because its surround trim is welded on all four sides to the return frame providing strength and rigidity. Aluminum, no corner mitering aesthetically preferred by architects and building professionals.



SEE BACK OF SHEET FOR PRODUCT SIZES AND OPTIONS ►

PRODUCT SIZES

LW 550 NON INSULATED AL

X	Model Number	Door Size W x H	Wall Opening	Cam Latches	Ship Wt. Lbs.
	LW 550	6 x 6	6 1/4 x 6 1/4	1	
	LW 550	8 x 8	8 1/4 x 8 1/4	1	
	LW 550	8 x 12*	8 1/4 x 12 1/4	1	
	LW 550	8 x 16*	8 1/4 x 16 1/4	1	
	LW 550	10 x 10	10 1/4 x 10 1/4	3	
	LW 550	12 x 12	12 1/4 x 12 1/4	3	
	LW 550	12 x 16*	12 1/4 x 16 1/4	3	
	LW 550	12 x 18*	12 1/4 x 18 1/4	3	
	LW 550	12 x 24*	12 1/4 x 24 1/4	4	
	LW 550	14 x 14	14 1/4 x 14 1/4	3	
	LW 550	14 x 24*	14 1/4 x 24 1/4	3	
	LW 550	16 x 16	16 1/4 x 16 1/4	3	
	LW 550	16 x 20*	16 1/4 x 20 1/4	3	
	LW 550	16 x 24*	16 1/4 x 24 1/4	4	
	LW 550	18 x 18	18 1/4 x 18 1/4	3	
	LW 550	18 x 24	18 1/4 x 24 1/4	4	
	LW 550	18 x 36*	18 1/4 x 36 1/4	5	

X	Model Number	Door Size W x H	Wall Opening	Cam Latches	Ship Wt. Lbs.
	LW 550	20 x 20	20 1/4 x 20 1/4	3	
	LW 550	20 x 24	20 1/4 x 24 1/4	4	
	LW 550	20 x 30*	20 1/4 x 30 1/4	4	
	LW 550	22 x 22	22 1/4 x 22 1/4	4	
	LW 550	22 x 24*	22 1/4 x 24 1/4	4	
	LW 550	22 x 30	22 1/4 x 30 1/4	4	
	LW 550	22 x 36*	22 1/4 x 36 1/4	5	
	LW 550	24 x 24	24 1/4 x 24 1/4	4	
	LW 550	24 x 30*	24 1/4 x 30 1/4	4	
	LW 550	24 x 36*	24 1/4 x 36 1/4	5	
	LW 550	24 x 48*	24 1/4 x 48 1/4	6	
	LW 550	30 x 30	30 1/4 x 30 1/4	6	
	LW 550	30 x 36	30 1/4 x 36 1/4	6	
	LW 550	32 x 32	32 1/4 x 32 1/4	6	
	LW 550	36 x 36	36 1/4 x 36 1/4	7	
	LW 550	36 x 48	36 1/4 x 48 1/4	8	
	LW 550	48 x 48	48 1/4 x 48 1/4	12	

*Sizes Available Upon Request

OPTIONS

Locks:

- Mortise Lock/Other
 Key Cylinder Locks: Keyed alike 2 keys per door

Gasket:

- Gasketing on 3 sides

Custom Size: _____

Project: _____	Date: _____
Contractor: _____	Architect: _____
Sizes: _____	Quantity: _____ App Initials: _____