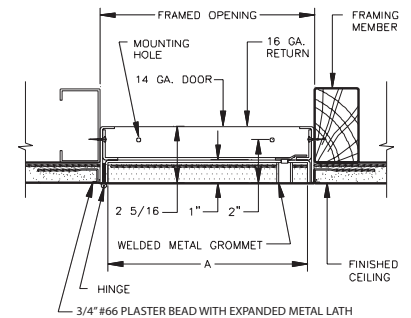
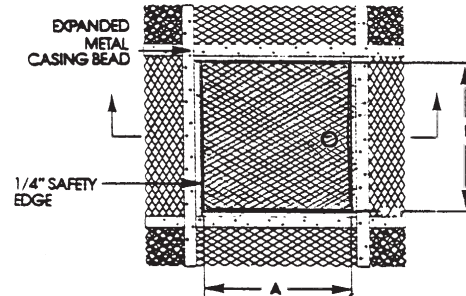
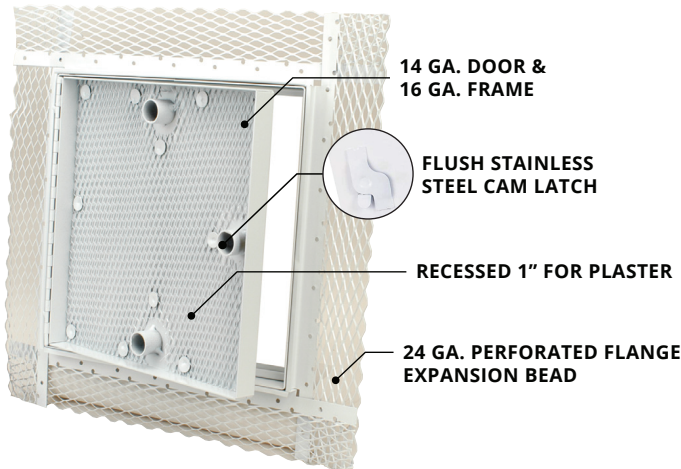


PB R 910 RECESSED

FOR PLASTER WALLS & CEILING



- ** Galvannealed steel:** The preferred coated steel for use in architectural applications.
- Coated in zinc, heated to over 1000° F so iron is pulled from steel.
 - Iron mixes with zinc coating, making it harder, more scratch-resistant, uniform in appearance.
 - Galvannealed steel bonds better with paint, and better for welding.

PRODUCT DETAILS

CONSTRUCTION

Door: 14 ga. steel door. Recessed 1" and lined with expanded metal lath.

Trim: 16 ga. steel, 3" wide expanded 24 ga. galvanized plaster bead and expanded metal lath.

Finish: Primed white baked enamel, paintable surface.

Hinge: Continuous stainless steel hinge opens 180.

Latch: Flush, stainless steel cam latch.

Can be installed in the walls and ceilings.

DURABILITY

A precision door that provides a virtually concealed installation, keeping acoustical surfaces intact while contributing to sound control and better appearance. Door panels are recessed to receive plaster up to 1" thick. Plaster covering the door finishes flush with the surrounding field, leaving only the narrow frame edges exposed.



SEE BACK OF SHEET FOR PRODUCT SIZES AND OPTIONS ▶

PRODUCT SIZES

PB R 910 RECESSED

X	Model Number	Door Size W x H	Wall Opening	Cam Latches	Ship Wt. Lbs.
	PB 910	8 x 8	8 1/4 x 8 1/4	1	4
	PB 910	10 x 10	10 1/4 x 10 1/4	1	5
	PB 910	12 x 12	12 1/4 x 12 1/4	3	7
	PB 910	12 x 24	12 1/4 x 24 1/4	2	12
	PB 910	14 x 14	14 1/4 x 14 1/4	3	9
	PB 910	16 x 16	16 1/4 x 16 1/4	3	11
	PB 910	18 x 18	18 1/4 x 18 1/4	3	12
	PB 910	20 x 20	20 1/4 x 20 1/4	3	15
	PB 910	22 x 22	22 1/4 x 22 1/4	4	18
	PB 910	22 x 30	22 1/4 x 30 1/4	4	24
	PB 910	22 x 36	22 1/4 x 36 1/4	5	27
	PB 910	24 x 24	24 1/4 x 24 1/4	4	20
	PB 910	24 x 36	24 1/4 x 36 1/4	5	27
	PB 910	24 x 48**	24 1/4 x 48 1/4	6	37
	PB 910	30 x 30**	30 1/4 x 30 1/4	5	29
	PB 910	30 x 36**	30 1/4 x 36 1/4	5	31
	PB 910	36 x 36**	36 1/4 x 36 1/4	7	42

**Walls Only

Custom Sizes Available Upon Request

OPTIONS

Locks:

-
- Key operated medium barrel cylinder lock

Gasket:

-
- Weather resistive neoprene gasket all 3 sides
-
- Closed cell sponge, blend of Neoprene/EPDM/SBR
-
- Meets ASTM D 1056/ SCE 41, RE 41, 2A1/substrate UL 94HF 1 recognized

Custom Size: _____

Project: _____	Date: _____
Contractor: _____	Architect: _____
Sizes: _____	Quantity: _____
	App Initials: _____