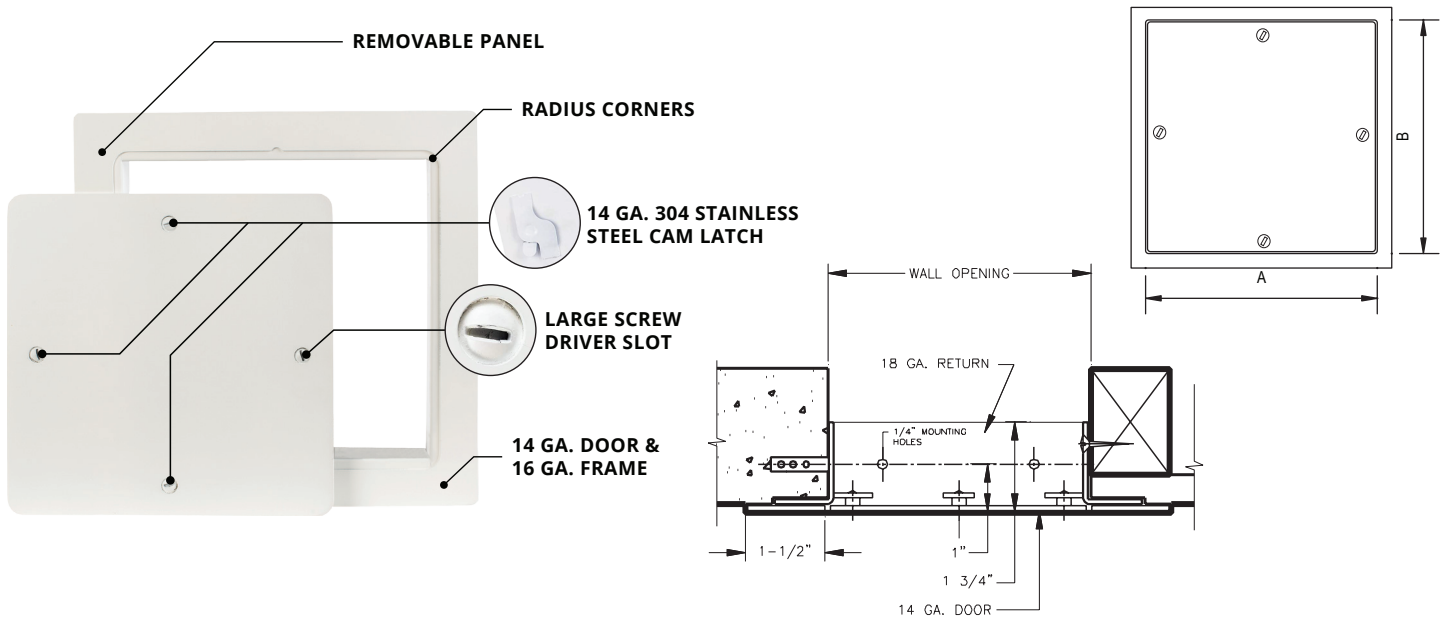


SUPREME RP 3010

NO HINGE FOR WALLS & CEILINGS



PRODUCT DETAILS

CONSTRUCTION

Door: 14 ga. steel door with radius corners. 16 ga. trim. Laser cut from one sheet of cold rolled steel, no corner mitering, preferred by architects and building professionals.

Finish: Primed white baked enamel, paintable surface.

Hinge: No hinge, removable panel.

Lock: Flush, 14 ga. stainless steel cam latches on all 4 sides. 24 x 24 and above come with safety chains. Can be installed in the ceiling or wall.

DURABILITY

Designed with the same quality features as our Supreme 3000 door, but primarily designed for use in confined areas. Simply unscrew the cam latches and the panel can be easily removed. The frame is laser cut from one sheet of steel for visual aesthetics.



SEE BACK OF SHEET FOR PRODUCT SIZES AND OPTIONS ►

PRODUCT SIZES

SUPREME RP 3010

X	Model Number	Door Size W x H	Wall Opening	Cam Latches	Ship Wt. Lbs.
	Supreme RP 3010	6 x 6	6 1/4 x 6 1/4	4	4
	Supreme RP 3010	8 x 8	8 1/4 x 8 1/4	4	5
	Supreme RP 3010	8 x 12	8 1/4 x 12 1/4	4	6
	Supreme RP 3010	8 x 16	8 1/4 x 16 1/4	4	8
	Supreme RP 3010	10 x 10	10 1/4 x 10 1/4	4	6
	Supreme RP 3010	12 x 12	12 1/4 x 12 1/4	4	8
	Supreme RP 3010	12 x 16	12 1/4 x 16 1/4	4	10
	Supreme RP 3010	12 x 18	12 1/4 x 18 1/4	4	11
	Supreme RP 3010	12 x 24	12 1/4 x 24 1/4	4	15
	Supreme RP 3010	14 x 14	14 1/4 x 14 1/4	4	10
	Supreme RP 3010	14 x 24	14 1/4 x 24 1/4	4	14
	Supreme RP 3010	16 x 16	16 1/4 x 16 1/4	4	13
	Supreme RP 3010	16 x 20	16 1/4 x 20 1/4	4	16
	Supreme RP 3010	16 x 24	16 1/4 x 24 1/4	4	17
	Supreme RP 3010	18 x 18	18 1/4 x 18 1/4	4	14
	Supreme RP 3010	18 x 24	18 1/4 x 24 1/4	4	18
	Supreme RP 3010	18 x 36	18 1/4 x 36 1/4	4	29

X	Model Number	Door Size W x H	Wall Opening	Cam Latches	Ship Wt. Lbs.
	Supreme RP 3010	20 x 20	20 1/4 x 20 1/4	4	17
	Supreme RP 3010	20 x 24	20 1/4 x 24 1/4	4	21
	Supreme RP 3010	20 x 30	20 1/4 x 30 1/4	4	23
	Supreme RP 3010	22 x 22	22 1/4 x 22 1/4	4	22
	Supreme RP 3010	22 x 24	22 1/4 x 24 1/4	4	23
	Supreme RP 3010	22 x 30	22 1/4 x 30 1/4	4	25
	Supreme RP 3010	22 x 36	22 1/4 x 36 1/4	4	32
	Supreme RP 3010	24 x 24	24 1/4 x 24 1/4	8	24
	Supreme RP 3010	24 x 30*	24 1/4 x 30 1/4	8	27
	Supreme RP 3010	24 x 36*	24 1/4 x 36 1/4	8	35
	Supreme RP 3010	24 x 48*	24 1/4 x 48 1/4	8	43
	Supreme RP 3010	30 x 30	30 1/4 x 30 1/4	8	32
	Supreme RP 3010	30 x 36*	30 1/4 x 36 1/4	8	39
	Supreme RP 3010	32 x 32*	32 1/4 x 32 1/4	8	35
	Supreme RP 3010	36 x 36*	36 1/4 x 36 1/4	8	44
	Supreme RP 3010	36 x 48*	36 1/4 x 48 1/4	8	57
	Supreme RP 3010	48 x 48*	48 1/4 x 48 1/4	12	70

*Larger sizes come with safety chains

OPTIONS

Finishes:

- Stainless Steel Type 304 No. 4 Satin Finish Brushed
- Stainless Steel Type 316 No. 4 Satin Finish Brushed

Locks:

- Mortise Lock/Other
- Key Cylinder Locks: Keyed alike 2 keys per door

Gasket:

- Neoprene gasket 4 sides

Custom Size: _____

Project: _____	Date: _____
Contractor: _____	Architect: _____
Sizes: _____	Quantity: _____ App Initials: _____